

Alumina-Titania Nanofibers Synthesis Using Different Techniques of Ti Addition

Antonio Muñoz-López, Antonio Toledo-Antonió, J. Escobar-Aguilar, Esteban López-Salinas*
Instituto Mexicano del Petroleo, Eje Lázaro Cárdenas No. 152, 07730, Mexico, 5591758000.
 *esalinas@imp.mx

Introduction

The synthesis of materials with nano-scale dimensions and structure is of great interest and importance in materials science and nanotechnology¹. Particularly, alumina nanofibers have great potential applications as adsorbents, catalysts support, composite materials, and ceramics, among others. In the last years, several studies on alumina nanofibers formation have been reported².

We have found that by implementation of a pH swing method, it is possible to obtain boehmite alumina with fibrillar morphology³. This pH swing method was first reported by Ono et al.,⁴ and consisted on swinging the pH value from acid to basic pH region which corresponded to the limits of the U-shaped solubility curve of alumina.

In this study, we aimed at obtaining alumina-titania by a pH swing method and combined with three different techniques to incorporate TiO₂ on Al₂O₃ (co-precipitation, deposition and stepwise deposition). The overall purpose was to disclose a method in which TiO₂ was highly dispersed.

Materials and Methods

These Alumina (A6S5) and TiO₂-Al₂O₃ mixed oxides were synthesized following a modified pH swing method³. A general preparation flow diagram is displayed in Figure 1. All preparations were carried out at constant 60 °C temperature. The first pH-swing cycle was as follows: In a glass vessel containing 200 ml of aqueous Al₂O₃·NaOH (basic pH), an aqueous Al₂(SO₄)₃·18H₂O solution (acid pH) was poured until reaching pH=2. Then the white precipitate was kept for 5 minutes and next aqueous Al₂O₃·NaOH solution was added until pH=8 stable in the reaction mixture, and aged for 5 minutes. This stage is the first pH swing cycle, and can be repeated a number of times to affect the textural properties. In this work, we carried out six pH swing cycles in all synthesis, maintaining all other conditions constant. For all mixed oxides, we used K₂TiO(C₂O₄)·2H₂O by Titania source. For all alumina-titania portions we calculated a theoretic 15 % weight in relation to alumina quantity in each portion.

Results and Discussion

Three different forms to incorporate titanium sulfate in pH swing process turn out in fibrillar alumina-titanias, but with clear different titania dispersion and dependent to incorporation stage of Ti compound.
 Deposit (Dx5) turn out in amount segregated anatasa formation in material surface and /or hidid in inter-fibrillar porosity. Step deposit (Fx5) turns out in less formation of segregated anatasa in material surface. Coprecipitation (Cx5) produces material with small anatase amounts on surface and TiO₂ formation very disperse in alumina fibrillar matrix.
 None of three alumina-titania systems to found other titania phases formation different to anatase phase (rutile or brookite). In the end to obtained Al₂O₃-TiO₂ nanofibrillar systems created in base of pH swing method, though were calcinated at 500 °C for 4 h, they conserve

specific areas higher to 300 m²/g, and pore volumes equal or higher to 1 cm³/g, besides they conserve its fibrillar morphology.

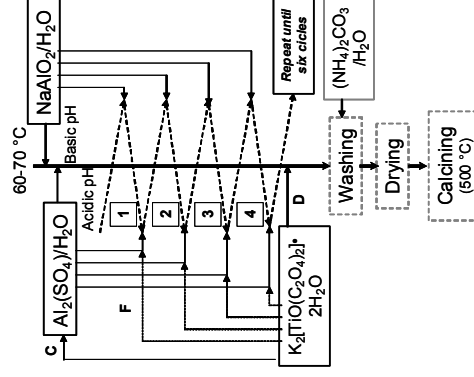


Figure 1. Preparation flow diagram of alumina and alumina-titania by a pH-swing method and the different incorporation techniques of titania. C: coprecipitation, D: deposit, F: stepwise deposit.

Significance

Use of alumina-titania as a catalyst support is a good alternative to improve hydrotreating catalysts performance, as long as high TiO₂ dispersions are achieved⁵. The importance of fibrillar alumina morphology lies on its inter-fibrillar pores, which favor the diffusion and eventual transformation of huge refractory asphaltene and Ni, V porfirinic molecules contained in oil residuals, which represent the most difficult hydrocarbons to transform in oil hydrotreatment reactions, and contribute enormously to deactivation of catalysts active sites⁶.

References

1. Iijima, S., *Nature* 56, 354 (1991).
2. Kresge, C., Leonowicz M., Roth, W., Vartuli, J., Beck, J., *Nature* 71, 359 (1992).
3. Muñoz-López J. A., *Master's Degree Thesis*, México, Universidad Autónoma Metropolitana Azcapotzalco (2003).
4. Ono, T., Ohguchi, Y., Togari, O., "Preparation of Catalysts III" p. 383. Wiley, New York, 1983.
5. Ramirez J., Macias, G., Cedeño, L., Gutierrez-Alejandro, A., Cuevas, R., Castillo, P., *Catal. Today* 98, 19 (2004).
6. Ying, Z., Gevert, B., Otterstedt, J., Sterte, J., *Appl. Catal. A: General* 69, 153 (1997).